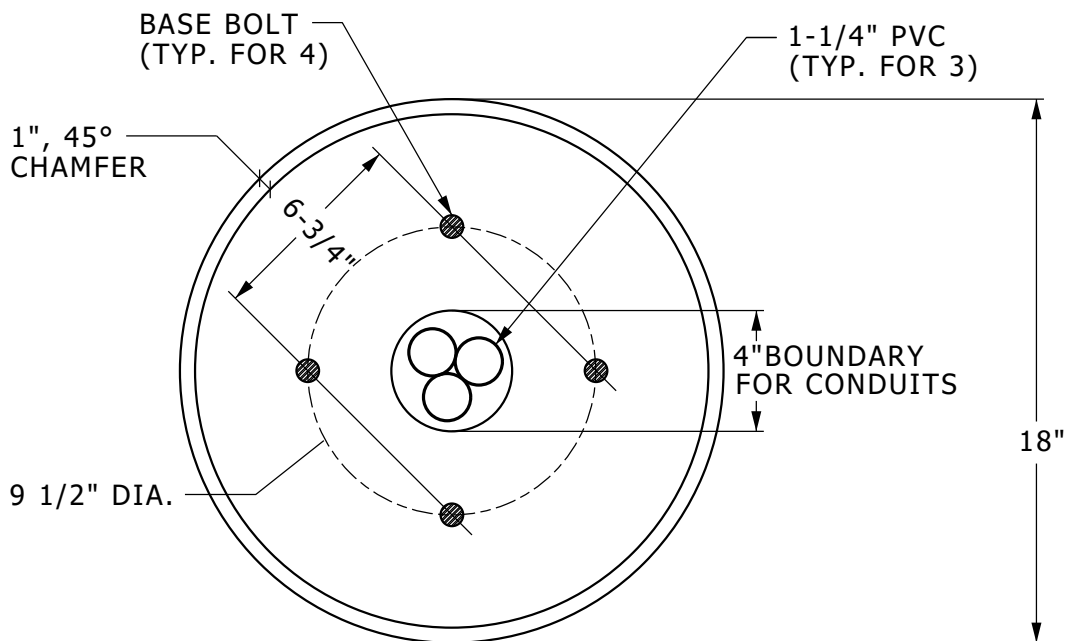


ALUMINUM PARKING AND ROADWAY 30' POLE BASE - PLAN VIEW

NO SCALE



PEDESTRIAN POLE BASE - PLAN VIEW

NO SCALE

26560017.DGN